



## Optical Fiber Attenuator

### Features and Benefits:

- Low excess loss
- High directivity
- Compact size
- Environmentally stable and reliable

### Application:

- CATV, FITH, IMT2000
- High Speed Transmission System
- EDFA (Erbium-Doped Fiber Amplifier)
- Wide & Local Area Networks
- Live line monitoring system



### Specification:

Characteristics	Conditions	Values
Attenuation Values	1 ~ 30dB	Attenuation 1~10dB(±0.5), 11~30dB(±10%)
Return Loss	PC	>45dB
	UPC	>55dB
	APC	>65dB
Durability	500times	<0.2dB
Temperature Cycling	-40 ~ +80°C(42Cycles)	<0.2dB
Humidity Cycling	75°C, 95%/336hr	<0.2dB
Vibration	10 ~ 55Hz(2hr)	<0.2dB
Impact	1.5m drop, 8times	<0.2dB

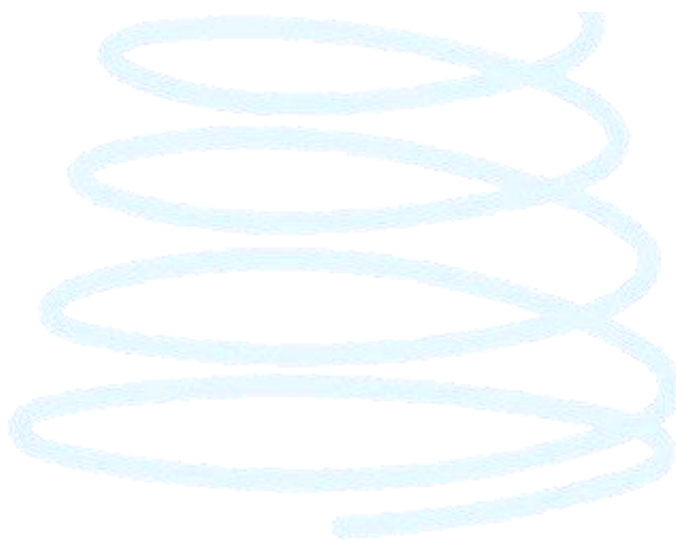
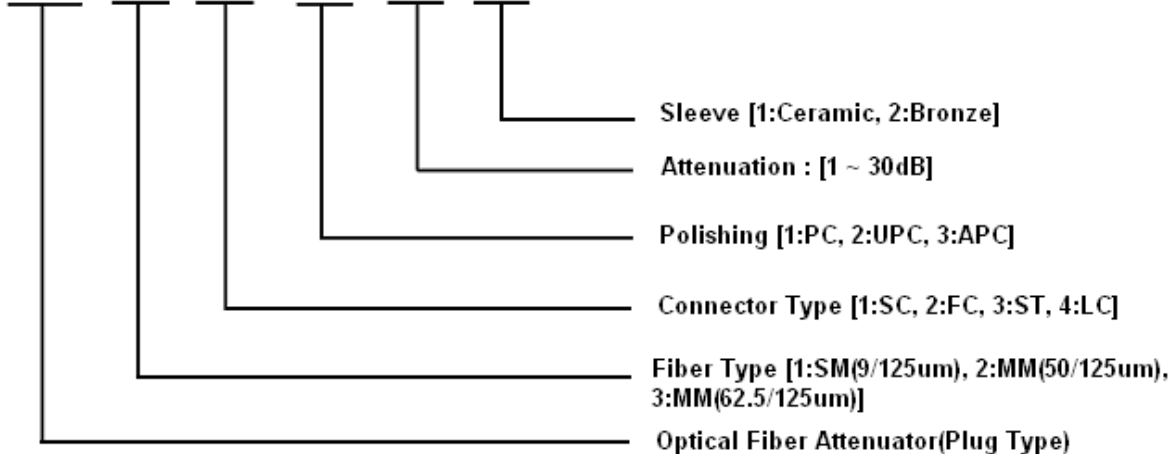


# ORNET



## Ordering Information:

OFA -  -  /  -  -



ORNET Sdn. Bhd.

47-4, Jalan SP 2/1, Taman Serdang Perdana, Seksyen 2, 43300 Seri Kembangan, Selangor, MALAYSIA.

Email : [info@ornets.com](mailto:info@ornets.com)

Tel : +603 - 89412300

Website : [www.ornets.com](http://www.ornets.com)

Fax : +603 - 89415300