



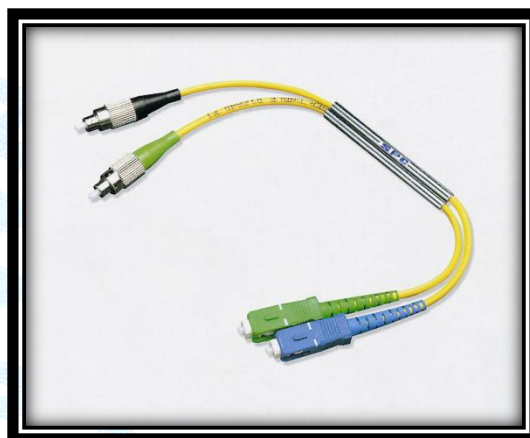
In-Line Attenuator

Features and Benefits:

- Optical performance 100% factory tested
- Environmentally stable
- Precision ceramic ferrule with endface geometry per IEC proposal
- Polarization insensitive
- Standard length assemblies in stock

Application:

- Telecommunication Networks
- Data Communications
- Instrumentation
- CATV Networks
- Active device termination



Specification:

Characteristics	Conditions	Values
Attenuation Values	**Including connector termination	±0.5dB(for 1dB~10dB)
		±1.5dB(for 10dB~30dB)
Return Loss	SPC	>45dB
	UPC	>55dB
	APC	>65dB
Durability	500matings	<0.2dB
Temperature Cycling	-40 ~ +80°C (42 cycles)	<0.2dB
Humidity Cycling	80°C, 95%/336Hr	<0.2dB
Vibration	10 ~ 55Hz(2Hr)	<0.2dB
Impact	1.5m drop, 8 cycles	<0.2dB

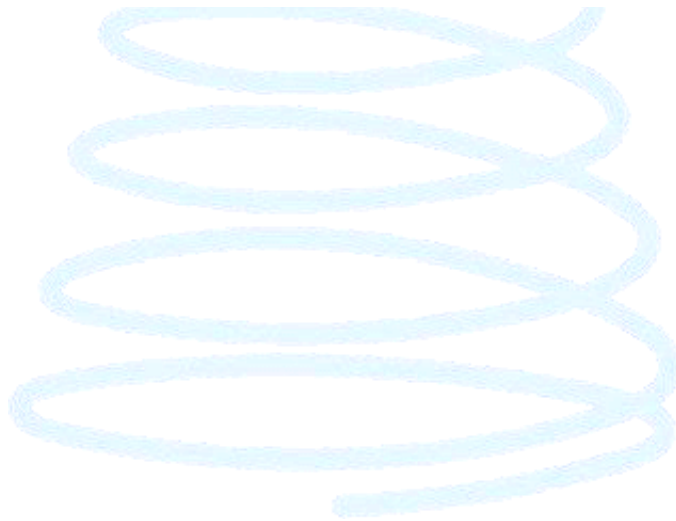
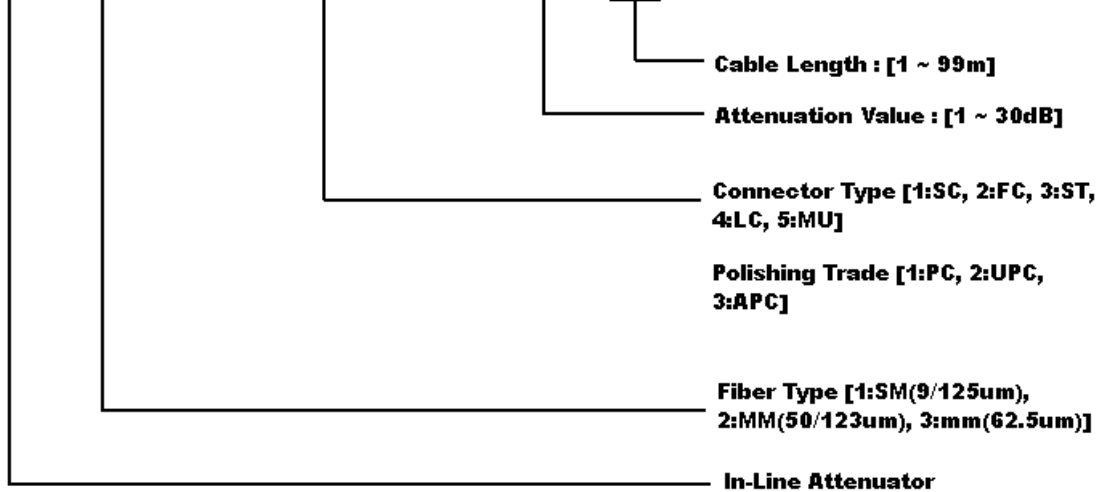


ORNET



Ordering Information:

ILA - - / - / - -



ORNET Sdn. Bhd.

47-4, Jalan SP 2/1, Taman Serdang Perdana, Seksyen 2, 43300 Seri Kembangan, Selangor, MALAYSIA.

Email : info@ornets.com

Tel : +603 - 89412300

Website : www.ornets.com

Fax : +603 - 89415300