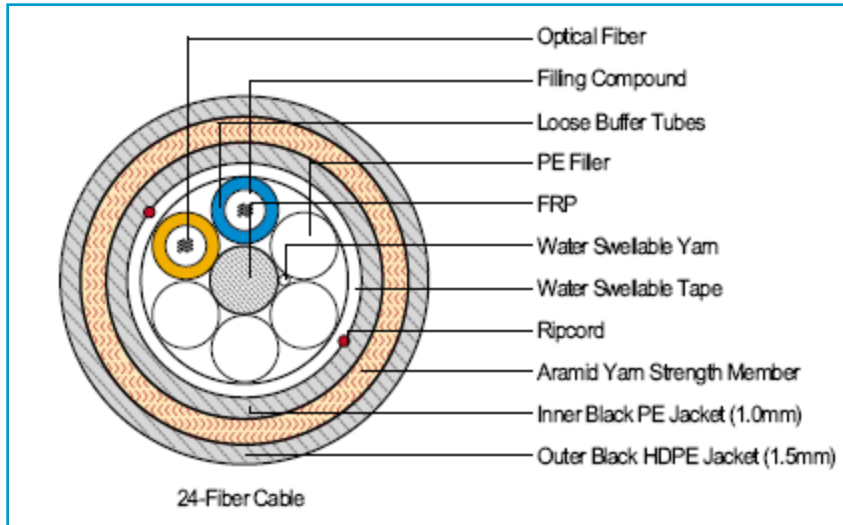




ADSS (Max span: 200m) Aerial Fiber Optic Cable



Description/Applications:

- All Dielectric Self Supporting (ADSS) Cable for Aerial Application.
- Black PE jacketed cable is a UV-stabilized, water blocked cable for outdoor aerial applications.
- Anti-tracking Jacket is also available upon request
- Loose tube design provides stable and highly reliable transmission parameters for a variety of voice, data, video and imaging applications.
- High modulus aramid yarns provides high tensile strength and long term reliability.

Applications:

- Low-voltage transmission and distribution System
- Space potential □ 12 kV (with PE Jacket), □ 24 kV (with Anti-Tracking Jacket)
- Railways and Telecommunications pole route.
- Suitable for all type of aerial lines.

Specification:

- IEC 60793 / IEC 60794, ITU-T G652D
- IEEE P1222, Telcordia GR-20-CORE

Colour Identification:

01 - Blue	05 - Slate	09 - Yellow
02 - Orange	06 - White	10 - Violet
03 - Green	07 - Red	11 - Rose
04 - Brown	08 - Black	12 - Aqua



ORNET



Mechanical Characteristics:

Storage Temperature : -40 to + 70°C / Operating Temperature : -20 to + 60°C

Fiber Count	LSC Part Number	Nominal* Outer diameter		Nominal* Weight		Maximum Tensile Load				Crush Load				Minimum Bend Radius			
		[mm]	[inch]	[kg/km]	[lb/1000 ft]	Short Term		Long Term		Short Term		Long Term		Loaded		Installed	
						[N]	[lb]	[N]	[lb]	[N/cm]	[lb/inch]	[N/cm]	[lb/inch]	[cm]	[inch]	[cm]	[inch]
6	LS09ADSS006-S400	14.0	0.55	150	101	2,700	125	220	125	220	125	110	63	28.0	11.02	14.0	5.51
12	LS09ADSS012-S400	14.0	0.55	150	101	2,700	125	220	125	220	125	110	63	28.0	11.02	14.0	5.51
24	LS09ADSS024-S400	14.0	0.55	150	101	2,700	125	220	125	220	125	110	63	28.0	11.02	14.0	5.51
36	LS09ADSS036-S400	14.0	0.55	150	101	2,700	125	220	125	220	125	110	63	28.0	11.02	14.0	5.51
48	LS09ADSS048-S400	14.0	0.55	150	101	2,700	125	220	125	220	125	110	63	28.0	11.02	14.0	5.51
72	LS09ADSS072-S400	14.0	0.55	150	101	2,700	125	220	125	220	125	110	63	28.0	11.02	14.0	5.51
96	LS09ADSS096-S400	15.4	0.61	180	121	2,700	125	220	125	220	125	110	63	30.8	12.13	15.4	6.06

Transmission Performance 1310nm/ 1550nm

Max. Attenuation	(dB/km)	0.35 / 0.25
Max. Dispersion	(ps/nm-km)	3.5 / 18
Max. PMD	(ps/√km)	0.2
Max. Field Diameter	(um)	92±04/10.5±1.0

*ITU-T G652 Compliant

Transmission Performance

Standard Reel Length 4000m

*Other Cable lengths may be available upon request

Loading / Sag Estimation

Items	Unit	Loading Estimation				
		6-72		96		
Fiber Counts	-	Medium	Light	Medium	Light	
NFSC Condition Code	-	400	450	400	440	
Maximum Span Length	m					
Installation	Load	kg(lb)	503	566	604	664
	Sag	m(ft)	6.0	6.8	6.0	6.6
Every Day Stress	Load	kg(lb)	496	558	594	654
	Sag	m(ft)	6.1	6.9	6.1	6.7
Max. Operating Stress	Load	kg(lb)	1061	1057	1200	1192
	Sag	m(ft)	14.1	15.2	13.5	14.2
Max. Sag	Vertical	m(ft)	14.0	10.0	13.6	9.8
	Horizontal	m(ft)	10.0	16.6	9.4	15.6